
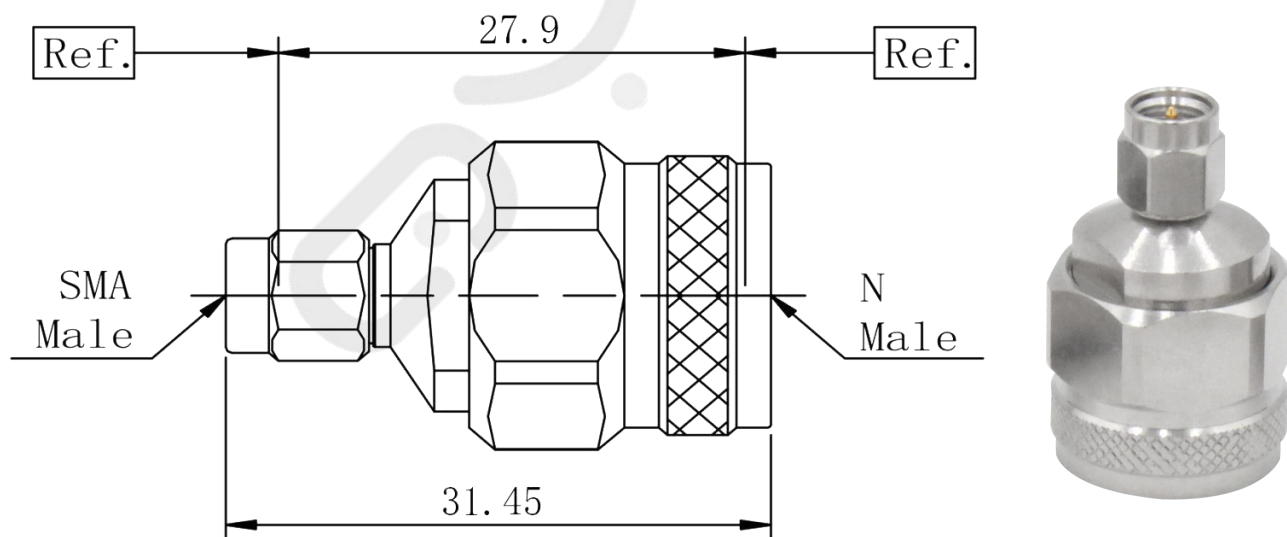


QY-N/SMA-JJGD

【一、产品参数Parameters/规格指标Specifications】

| | |
|------------------------------------|---|
| 频率范围 Frequency Range | DC-18 GHz |
| 驻波比 VSWR | 1.20:1 (max) |
| 阻抗 Impedance | 50 Ω |
| 插入损耗 Insertion Loss | 0.19dB (max) |
| 介质耐电压 Dielectric withstand voltage | 1000 V |
| 使用寿命 Service life | ≥500 |
| 绝缘电阻 Insulation Resistance | ≥5000MΩ  |
| A 接头类型 A connector type | N-Male |
| B 接头类型 B connector type | SMA-Male |
| 工作温度 Operation Temperature | -55℃ ~ +165℃ |
| 内导体材质 Inner conductor material | 铍青铜 镀金 Beryllium bronze Gold plating |
| 外导体材质 External conductor material | 不锈钢 钝化 Stainless steel Passivation |
| 绝缘体 Insulator | PEI |

【二、规格草图 Draft specifications】



注: 尺寸(mm/[英寸]), 一般公差(± 0.3)

Note: Dimensions (mm / [inch]), General tolerance (±0.3)