
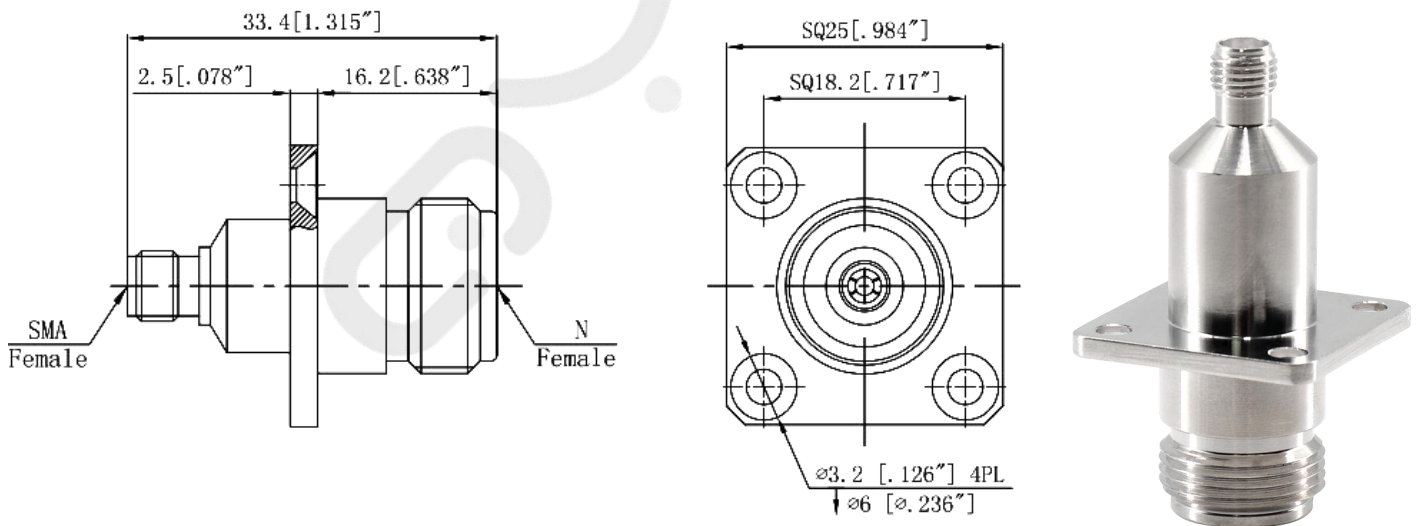


QY-N-SMA-KFKT1SD

【一、产品参数Parameters/规格指标Specifications】

频率范围 Frequency Range	DC-6 GHz
驻波比 VSWR	1.15:1 (max)
阻抗 Impedance	50 Ω
插入损耗 Insertion Loss	0.25dB (max)
介质耐电压 Dielectric withstand voltage	1000 V
使用寿命 Service life	≥500
绝缘电阻 Insulation Resistance	≥5000MΩ 
A 接头类型 A connector type	N-Female
B 接头类型 B connector type	SMA-Female
工作温度 Operation Temperature	-55℃ ~ +165℃
内导体材质 Inner conductor material	铍青铜 镀金 Beryllium bronze Gold plating
外导体材质 External conductor material	黄铜 镀三元合金 Brass plated ternary alloy
绝缘体 Insulator	PTFE

【二、规格草图 Draft specifications】



注: 尺寸(mm/[英寸]) , 一般公差(± 0.3)
 Note: Dimensions (mm / [inch]), General tolerance (±0.3)